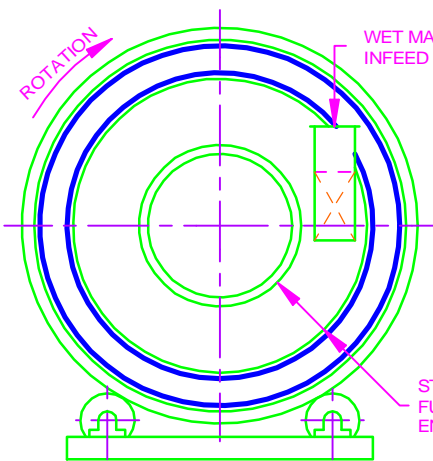
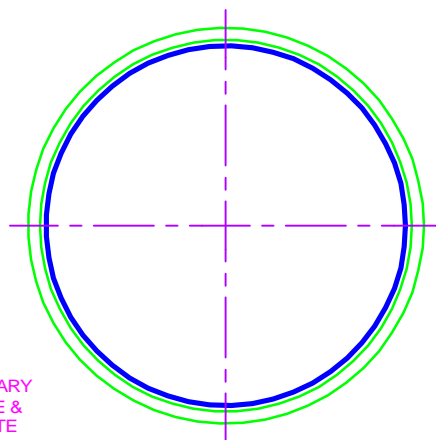


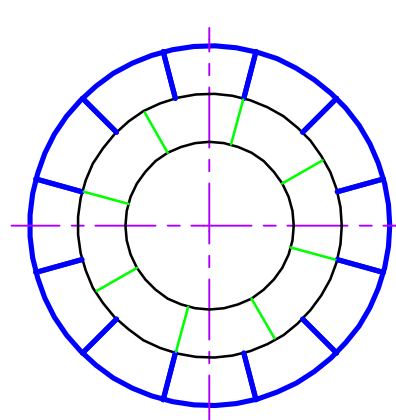
MATERIAL and GAS FLOW DIAGRAM  
AS REQUIRED



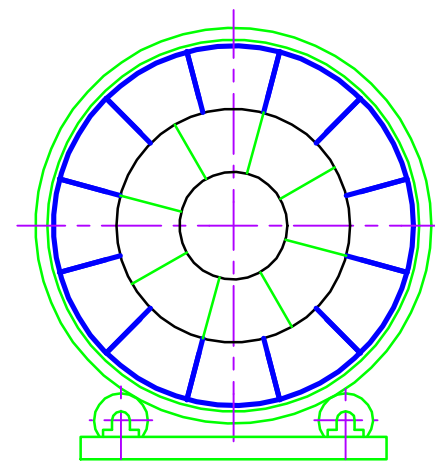
SECTION A-A  
HOT GAS FURNACE AND MATERIAL INFEED



SECTION B-B  
1ST LOW VELOCITY ZONE (ALSO THE 5TH ZONE)



SECTION C-C  
2ND 3RD & 4TH ZONE GUSSET PATTERN



SECTION D-D  
6TH 7TH & 8TH ZONE GUSSET PATTERN

U.S. PATENT NO. 7,155,841

08	09-08-09	REVISED TITLE - "IMPINGING STREAM"
07	06-29-09	UPDATE SECTION VIEWS (ZONE 1 AND 5)
06	01-02-07	U.S. PATENT NUMBER ADDED
05	04-04-05	"PATENT PENDING" NOTATION ADDED
04	03-18-05	ADDED NOTE AT SECTION B-B
REV	DATE	DESCRIPTION

**Earth Care Products, Inc.**  
P.O. Box 787 800 N. 21st Street  
Independence, Kansas 67301  
Office: 620-331-0090  
Fax: 620-331-0095

THIS DRAWING AND THE DESIGN SHOWN THEREIN IS THE PROPERTY OF EARTH CARE PRODUCTS, INC. ANY DUPLICATION OR USE OF THIS PRINT FOR PURPOSES OTHER THAN THAT FOR WHICH IT WAS FURNISHED IS HEREBY PROHIBITED. COPYRIGHT FIRST PUBLISHED DATE, EARTH CARE PRODUCTS, INC. ALL RIGHTS RESERVED.

<b>ENGINEERING DEPARTMENT</b>		
CORPORATE OFFICE	INDEPENDENCE	KANSAS 67301
<b>IMPINGING STREAM Z8 DRYER CONCEPT</b>		
DRAWN BY: Matukewicz	DATE: DEC 16, 2004	DRAWING NO. <b>SA-27-04</b>
CHECKED BY:	JOB NO: 000	
SCALE: 3/16" = 1'-0"	FILE: SA-27-04.FCW	